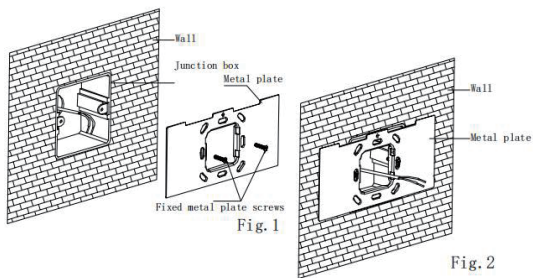


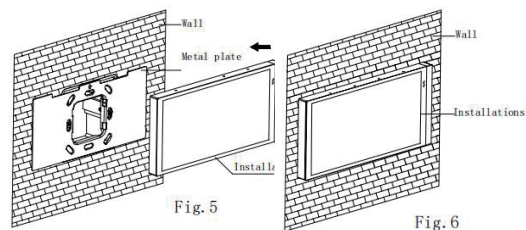
Installation instructions



1. Install metal plate to the junction box on the wall with mounting screws.

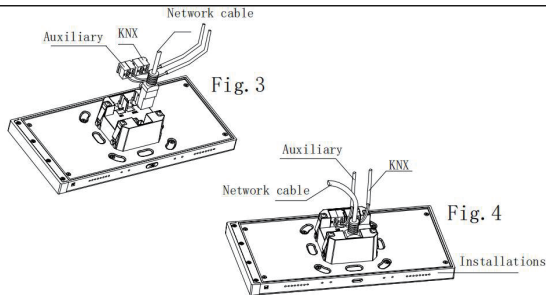
Installation specification:

- (1) Remove the metal plate and fixed metal plate crews, thread the cable through the metal plate and fixed the metal plate to the 80 or 86 box with the screws. It is suggested that junction box should be parallel with the wall horizon, as shown in Fig.1;
- (2) Install the metal plate, as shown in Fig.2;
- (3) Screwdriver should not drive too strong when installed, otherwise it will result in the deformation of the metal plate. The recommended strength is 0.6 ~ 0.8N.M(6 ~ 8Kgf.cm).



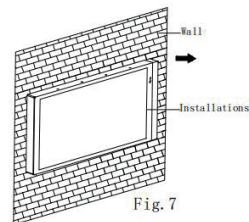
3. After connection of the device complete:

- (1) Align the back of the installations to the mounting hole position of the metal plate, requiring the device to be parallel to the wall or the metal plate, push the installations into metal plate and attention should be paid to the shrapnel installation hole of the metal plate, until the shrapnel on the installations is clamped into the metal plate, as shown in Fig.5;
- (2) Complete installations installation, as shown in Fig.6;



2. Remove the KNX bus connection terminal on the device and connect it correctly according to the wiring instructions, as shown in Fig.3; After wiring, install the KNX bus terminal of the connected wire into the installations, and connect the network cable with the installations, then the wiring installation is finished, as shown in Fig.4;

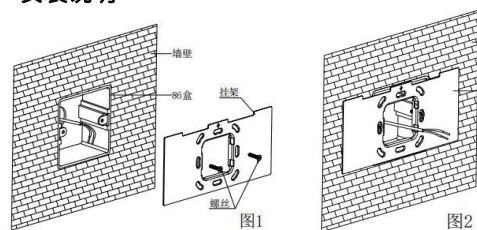
Disassembly instructions



4. After finishing the installation, if disassembly is required, please perform this step:

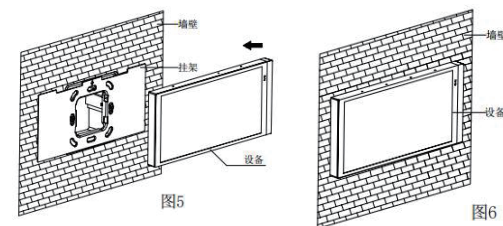
Pull the installations out toward the horizontal direction and spring buckle and magnetic attraction fall off, then the disassembly is finished, as shown in Fig.7;

安装说明



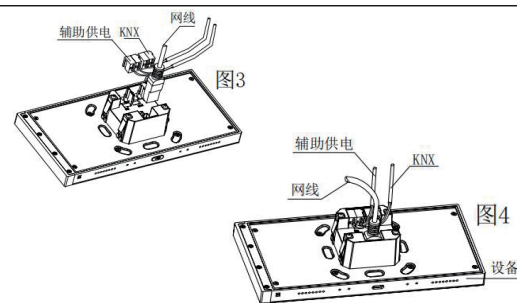
1. 将挂板通过安装螺丝安装到墙上预埋盒。安装规范:

- (1) 先取出挂架及挂架固定螺丝, 将线穿过挂架, 并用螺丝将挂架固定在 80 或者 86 盒上。预埋盒建议要与墙壁平面平齐。如图 1 所示;
- (2) 安装好挂架。如图 2 所示;
- (3) 安装时螺丝刀力度不能过大, 导致挂板变形。建议的力度为 0.6~0.8N.M(6~8Kgf.cm)。
- (4) 采用 86 接线盒安装时, 固定挂板螺丝需采用我司配套的 M4 专用螺丝。



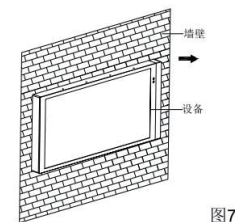
3. 面板接线连接好后:

- (1) 将设备背面对准挂架安装孔位, 要求设备平行于墙面或者挂架, 将设备推入挂架, 同时要注意设备的弹片要对准挂架的弹片安装孔, 对准后压入, 直到设备上的弹片卡入挂架卡扣内。如图 5 所示;
- (2) 完成设备安装。如图 6 所示;



2. 将面板上的 KNX 总线连接端子取下, 按接线说明进行接线。如图 3 所示; 完成接线后, 再把接好线的 KNX 总线端子插入设备, 并将网线与设备连接好, 即可完成接线安装。如图 4 所示;

拆卸说明



4. 安装完成后, 如需要拆卸, 请执行此步骤:

将设备水平向外拉拔, 弹簧卡扣和磁吸脱落, 即可完成拆卸。如图 7 所示;

CAV SMART

KNX Smart LCD Panel Q7 Technical Specification

Q7 (Gray)

The worldwide STANDARD for home and building control

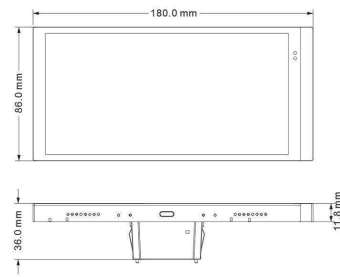
CHARACTERISTICS

- 6.9 inch color IPS capacitive touch screen, with high resolution 1440x720
- Support vertical or horizontal display via ETS
- 4 microphones and dual speakers
- Support to 2.4G WiFi,Bluetooth,Ethernet
- Homepage function available, with 3 device control mode including device view,area view and area plan view
- 120 KNX channels,with basic control functions including switch, dimming, blinds, valve sender, color temperature, color control(RGB,RGBW,RGBCW), audio control, room temperature control, Air conditioner, Ventilation System control, Air quality and Energy Metering display,etc.
- Support KNX gateway function
- 16 Schedules,8 Scene Group functions, 8 Logic functions
- 30 KNX scene functions
- 24 Alarm functions
- Human Centric Lighting(HCL) available
- Day/Night signal and summer time automatic adjustment
- Panel locking and Screensaver
- Built-in temperature and humidity sensor, proximity sensor, brightness sensor
- With Type-C interface to image replacement, power supply, firmware download
- Integrate with SIP intercom and cloud intercom
- Security monitoring and surveillance recording with access to IP CAM
- Voice message function and call transfer function
- Setting defense zone setup for arm and disarm functions
- Supports external with Q7 expansion sub-panels, such as button, Rotary etc.
- OTA upgrade available
- Support the KNX Data Secure

PARAMETERS

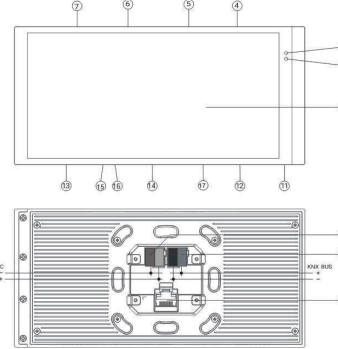
Power Supply	Bus voltage	21-30V DC, via the KNX bus	
	Bus current	<3.8mA/24V, <3.4mA/30V	
	Bus	<0.1W	
Auxiliary Supply	Voltage	12-30V DC	
	Current	<170mA/24V, <150mA/30V	
	Consumption	<4.5W	
Connection	KNX	Bus connection terminal(Red/Black)	
	Auxiliary Supply	Bus connection terminal(Yellow/White)	
	RJ45		
RJ45	For access to intercom system or connect Ethernet		
Operation and display	Red LED&push button	For assigning the physical address	
Proximity sensor	Normal:30cm	Enhanced:60cm	
Temperature sensor	-40-80°C		
Humidity sensor	0-100%		
Temperature	Operation	- 5 °C ... + 45 °C	
	Storage	-25 °C ... + 55 °C	
	Transport	- 25 °C ... + 70 °C	
Environment	Humidity	<93%, except dewing	
Installation	European 80 type wall-mounted box or 86 type wall-mounted box		

DIMENSIONS



Model	Dimension	Weight
Q7	180*86*36mm	0.5kg

DESCRIPTIONS



- ①Touch and display area
- ②③Proximity sensor and brightness sensor
- ④⑦⑦.Microphone
- ⑧Auxiliary supply connection terminal
- ⑨KNX bus connection terminal
- ⑩Ethernet port
- ⑪Internal temperature and humidity sensor
- ⑫⑬⑬.Loudspeaker ⑭Type-C interface
- ⑮⑯⑯.Programming button and LED
- ⑰reset button

Reset the device to the factory configuration: press the programming button and hold for 4 seconds then release, repeat the operation for 4 times, and the interval between each operation is less than 3 seconds

INSTALLATION FIGURE

KNX Smart Touch Q7 can be installed in a European 80 type wall-mounted box or 86 type wall-mounted box. It requires not only KNX bus powered, but also requires a 12-30V DC auxiliary power supply. It is available to assign the physical address by engineering design tools ETS with .knxprod (higher than edition ETS 5.7). Must ensure that the device operation, testing, detecting, maintenance correctly.

If you need to extend the sub-panel such as buttons or knobs, you can remove the decorative strip and dock the screen to the sub-panel in the prescribed manner and secure it with screws before installing it to the base box.

It is recommended that the touch panel be installed at a height of approximately 120~140cm from the floor and at a horizontal distance of 15~20cm from the door frame. It is not permitted to install the touch panel in a place where it is in direct contact with liquids.

IMPORTANT INFORMATION

Installation and commissioning of the device may only be carried out by trained electricians. The relevant standards, directives, regulations and instructions must be observed when planning and implementing the electrical installation.

●Protect the device against moisture, dirt and damage during transport, storage and operation!

●Do not operate the device outside the specified technical data (e.g. temperature range)!

Should the device become soiled, it may be cleaned with a dry cloth. If this does not suffice, a cloth lightly moistened with soap solution may be used. On no account should caustic agents or solvents be used.

CAV SMART

KNX智能液晶面板Q7技术规格书

适用型号：
Q7（静谧灰）

国际标准的家庭和楼宇控制系统

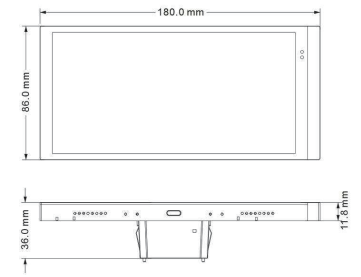
产品功能

- 6.9 寸彩色 IPS 电容式触摸屏，分辨率 1440x720
- 支持 ETS 设置横屏和竖屏显示
- 4 麦克风 and 双喇叭设计
- 支持 2.4G WiFi、蓝牙、以太网
- 支持首页功能，且具有设备视图、区域视图和户型图三种设备控制模式
- 120 个设备通道，支持基本控制功能，包含开关、调光、窗帘、值发送、色温、颜色控制(RGB、RGBW、RGBCW)、背景音乐、温控功能、空调控制、新风系统控制、并支持空气质量传感器检测值显示和能源检测值显示等
- 支持 KNX 网关功能
- 16 个定时功能、8 个场景组功能、8 个逻辑功能
- 30 个 KNX 场景功能
- 24 个报警信号功能
- 人本照明控制(HCL)
- 支持白天夜晚模式输出，以及夏令时自动调整
- 具有屏保和锁屏功能
- 内置温湿度传感器、靠近感应传感器、亮度传感器
- 具有 Type-C 接口，可进行图片资源替换、供电、固件下载
- 集成 SIP 对讲和云对讲
- 支持安防监控和监控记录，可接入 IP CAM
- 支持语音留言功能、呼叫转移功能
- 支持防区设置，实现布防撤防功能
- 支持外接 Q7 扩展子面板，如按键、旋钮等
- 支持 OTA 升级
- 支持 KNX 安全协议

技术参数

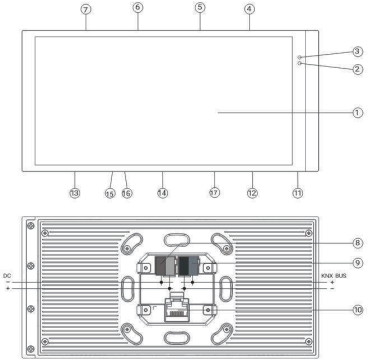
总线电源	总线电压	21-30V DC, 由 KNX 总线提供
	总线电流	<3.8mA/24V, <3.4mA/30V
	总线功耗	<0.1W
辅助电源	电压	12-30V DC
	电流	<170mA/24V, <150mA/30V
	功耗	<4.5W
连接	KNX	总线连接端子(红/黑)
	辅助电源	总线连接端子(黄/白)
RJ45	用于接入可视对讲系统或者连接以太网	
操作和指示	红色灯和按键	分配物理地址
靠近感应距离	普通感应: 30cm	增强感应: 60cm
温度传感器	-40-80°C	
湿度传感器	0-100%	
温度范围	运行	- 5 °C ... + 45 °C
	存储	-25 °C ... + 55 °C
	运输	- 25 °C ... + 70 °C
环境条件	湿度	<93%，结露除外
安装	国标 80 嵌墙底盒或欧标 86 嵌墙底盒	

尺寸规格



型号	尺寸	重量
Q7	180*86*36mm	0.5kg

接线图



- ①触屏与显示区域
- ②③光感和靠近感应
- ④~⑦:麦克风
- ⑧辅助供电连接端子
- ⑨KNX 总线连接端子
- ⑩以太网网口
- ⑪温湿度传感器
- ⑫~⑬:喇叭
- ⑭Type-C 接口
- ⑮⑯编程按键和 LED ⑰复位按键

重置设备到出厂配置：长按编程按钮约 4 秒，长按 4 次，且每次松开间隔小于 3 秒

安装说明

KNX 智能屏 Q7, 安装在国标 80 嵌墙底盒或欧标 86 嵌墙底盒中, 它不仅需要 KNX 总线供电, 而且还需要一个 12-30V DC 的辅助电源供电。参数的设置和物理地址的分配可以使用带有 .knxprod 文件的工程设计工具软件 ETS (版本 ETS 5.7 或以上)。安装时必须确保辅助供电和总线连接正常、设备工作正常。

如果您需要扩展安装按键或旋钮等子面板, 可以将装饰条拆下来, 并将屏幕与子面板按规定方式对接, 并使用螺丝固定后再安装到底盒。

建议触摸面板安装距地面大约 120~140cm 高度的位置和距门框水平距离 15~20cm 的位置。 触摸面板不允许安装在与液体直接接触的地方。

重要提示

安装和调试设备只能由合格的熟练电工来操作。在计划与实施电气安装的过程中相关的标准、指令、规则和指示都要严格执行。

- 需要避免器件在运输、储存、使用的过程中受潮、脏污以及受损。
- 不要使器件运行在指定的技术指标之外 (例如温度范围)。

当设备脏污时, 只可以使用干燥的布来清洁。如果这样不足以清洁干净, 可以使用温布蘸少许肥皂溶液轻轻擦拭。绝不能使用碱剂或者腐蚀性溶剂。